

GYR-50000

Ball Valve



Size range: 1" -18"

Pressure level range: 1. 6Mpa 2. 5Mpa

4. 0Mpa 6. 4Mpa

Standard close level:

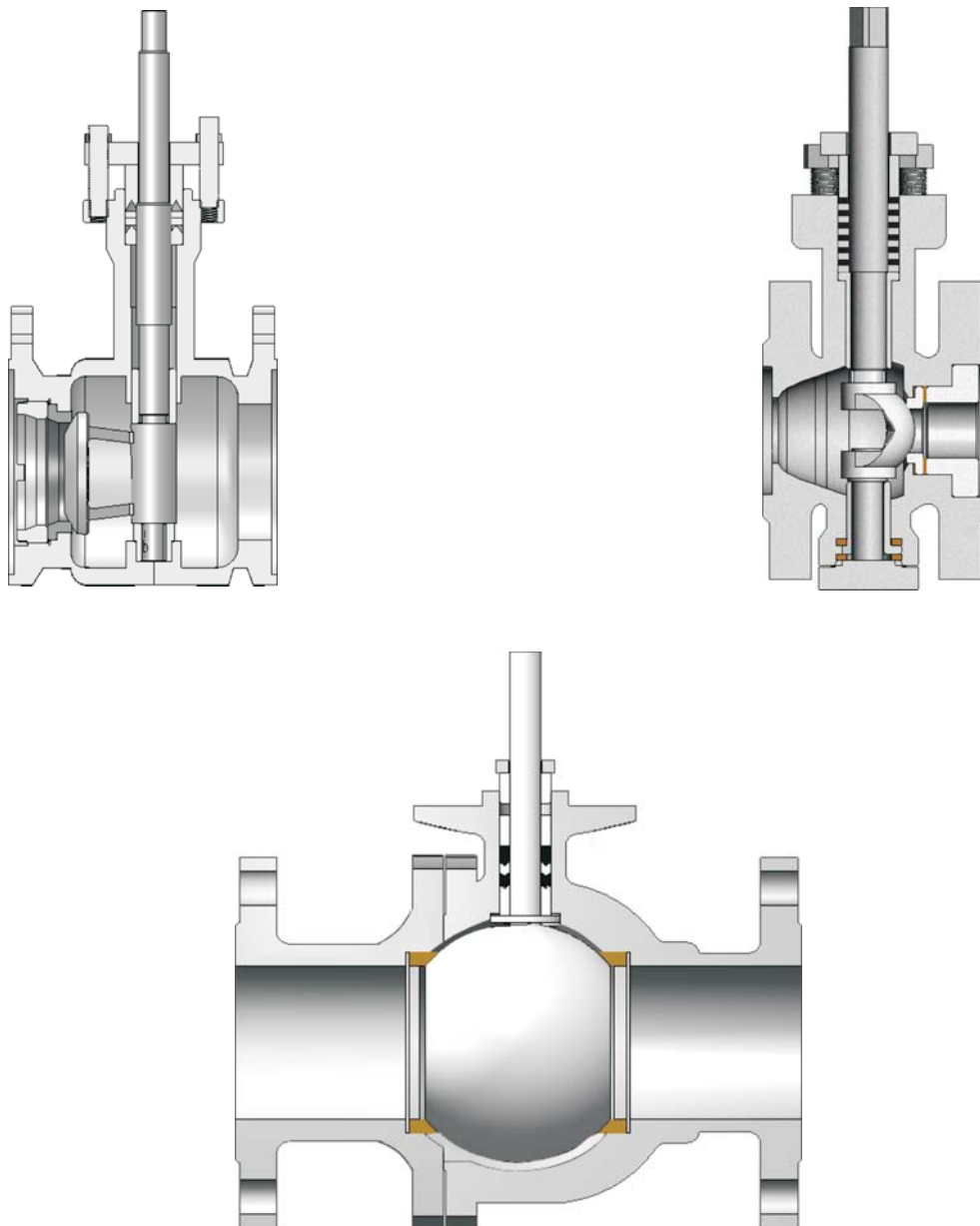
CALSS V (Standard Metal seat)

CALSS VI (Standard Soft seat)

FLOW HIGH PERFORMANCE CONTROL VALVES

Innovative Technology for the 21st Century

The GYR-50000 series ball valve is one of the BEIER corporation researches & develops productions, the valve plug structure is a spherical surface. The valve uses the special modular design, the unique structure, fine shape, light weight, when the valve open maximal the flow channel nearly goes straight, the circulation ability is big. The valve is one kind of large capacity regulating valves and suitable to control the liquid which contain the fiber, the slurry, the high viscosity, the polymer, crystal and so on.



FLOW HIGH PERFORMANCE CONTROL VALVES

GYR 50000 SERIES BALL VALVE

GYR 51100 SERIES ROTARY ECCENTRIC PLUG VALVE

GYR-51100 series rotary eccentric plug valve, the plug adopts eccentric structure, the movement nimble, open and shut torque is small, low abrasion and enhancement the service life, the seal property is outstanding, especially is suitable for controlling the fluid like the slurry, the high viscosity, etc.

GYR-51100 series valve body has simply flow channel, outstanding performance, has wide adjustment range and the extremely high control precision, it selects the rotary motion work method, the eccentric plug approach or departure the seat ring, may reduce rubs and wears, and improve the control performance.

GYR-51100 series rotary eccentric plug valve is extreme to adapt to wash out, high abrasion duty services, the rigidity and the output force is big, can work reliably under the fixed differential pressure, realizes the precise flow control and ultra long working life, is one of the most advanced angle travel control valves at present international. Is widely used in the metallurgy, petrified, the refinement, the electric power, the paper pulp and the paper industry.

GYR 51200 SERIES V TYPE BALL VALVE

GYR-51200 series V type ball valve, is one kind of quarter turn structure high-quality control valve, the plug is the concentric partial spherical surface, with V margin, has the very big sharing force and from the clean performance, at the same time can control the fluid accurately when in small open Cv working, is suitable to control the fluid like contain the fiber, has the small solid particle and the solid state.

The smart pneumatic V type ball valve is one kind of quarter turn sphere control valve, matches to position, realize proportional control, matches two position five-way solenoid valve, can realize open or close control. V type ball plug design has the special shape V gap, has the precise flow rate characteristic and control performance, is suitable to each kind of control situation, has good performance of big discharge coefficient, good seal, smart structure, etc. Is widely used in the petroleum, chemical industry, papermaking, chemical fiber, electric power, environmental protection, metallurgy, drugs manufacture automatic control system.

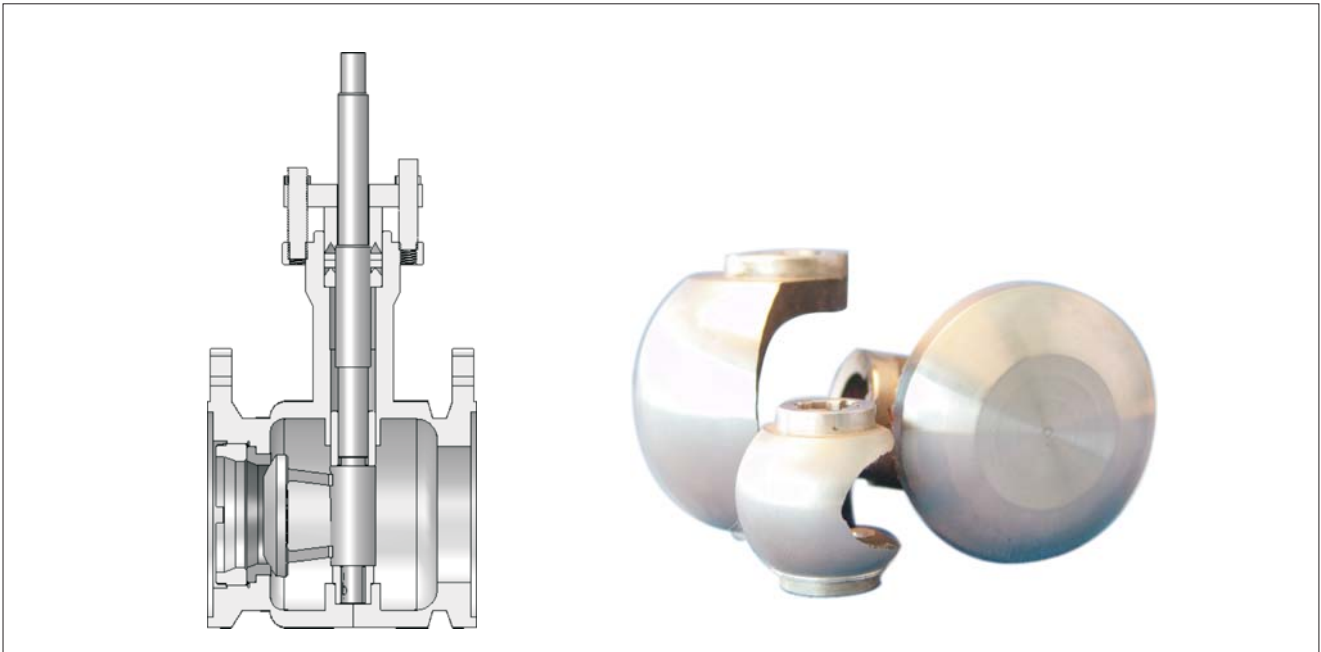
GYR 51300 SERIES O TYPE BALL VALVE

GYR-51300 series O type ball valve, is one kind of quarter turn structure high-quality control valve, the plug is the concentric all spherical surface, the integral-type design, uses the bidirectional seal structure, the leakage is small, is especially suitable to control the fluid like contain the fiber, has the small solid particle and the solid state.

Pneumatic O type ball valve is one kind of pneumatic quarter turn cut-off valve, matches to solenoid valve and limited switch box, may realize long-distance shut-off control. O type fixed ball valve adopts the design for fixing the plug by front and back stem and movement seal seat to achieve the performance on small open or close torque, stably working, and automatic compensation function, is suitable to control the fiber and the small solid particle. The actuator adopts crank transform structure, has the performance on small output torque, smart volume, etc. the body of cylinder uses the mirror surface tube, the surface is smooth, no-oil lubrication, long service life, thus is widely applied to industry like papermaking, petrification, chemical industry, metallurgy, electric power, environmental protection, petroleum, light industry, etc.

Smart pneumatic O type ball valve use the ultra width rack, is composed of O type ball valve and aluminum alloy pneumatic actuator which adopts pinion drive double-piston technology, is one kind of quarter turn type cut-off ball valve, has the performance on small volume, simple structure, light weight, small open or close torque, big cut off ability and good seal, etc. and suitable to match to each kind of original installation import actuator, is widely applies to control gas, solid and fluid, etc.

GYR-51100 SERIES ROTARY ECCENTRIC PLUG VALVE



Part name	Material	Temperature range (°C)
Body	A216-WCB	-5~425
	A351-CF8	-196~538
	A351-CF8M	-196~538
	LF6	-196~-45
Plug	A351-CF8M	-196~538
	A351-CF8M+Reinforced Teflon	-45~200
	A351-CF8M+Partial satellite alloy	-196~538
Stem	A351-CF8M	-196~538
Bearing	A351-CF8M	-196~538
Clamping ring	A351-CF8M	-196~538
Soft seal	Reinforced Teflon	-45~200
	Reinforced Teflon +Carbon fiber	-196~538
Metal seal	SUS316+Partial satellite alloy	-196~538

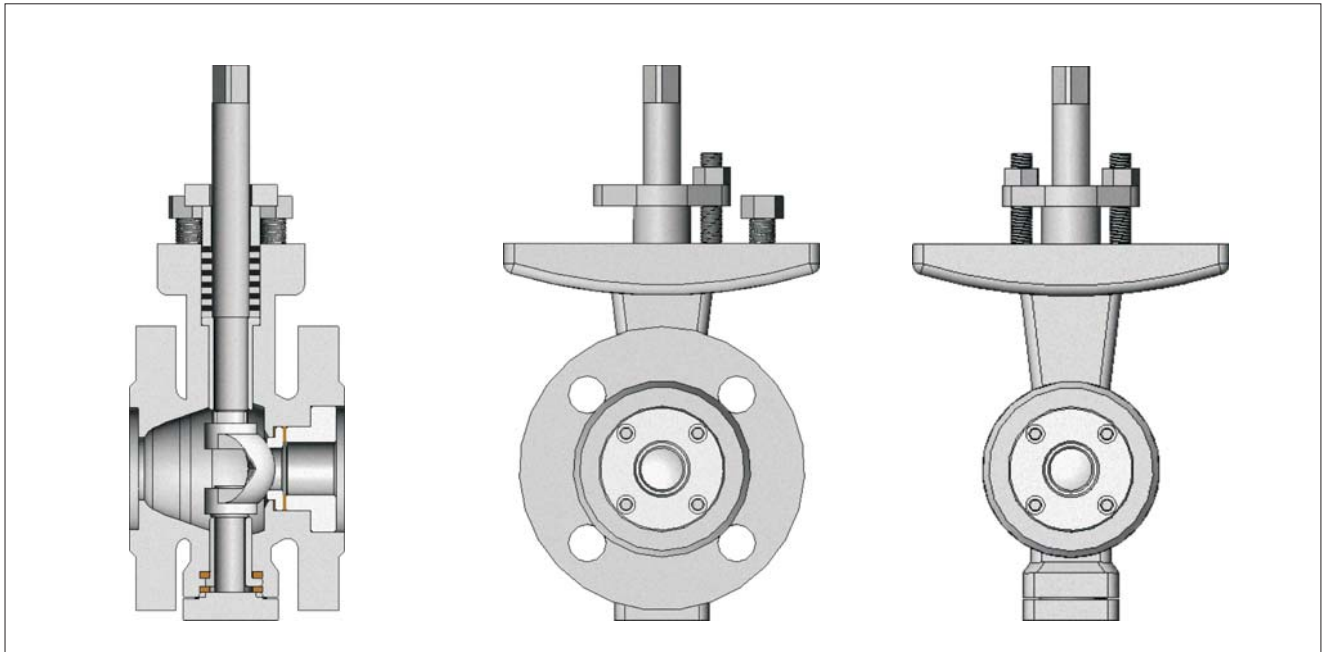
Size range: 1" - 12"

Pressure level range: 1.6Mpa 2.5Mpa 4.0Mpa 6.4Mpa

Standard close level: CALSS V (Standard Metal seat)

CALSS VI (Standard Soft seat)

GYR-51200 SERIES V-TYPE BALL VALVE



Part name	Material	Temperature range (°C)
Body	A216-WCB	-5~425
	A351-CF8	-196~538
	A351-CF8M	-196~538
	LF6	-196~-45
Plug	A351-CF8M	-196~538
	A351-CF8M+Reinforced Teflon	-45~200
	A351-CF8M+Partial satellite alloy	-196~538
Stem	A351-CF8M	-196~538
Bearing	A351-CF8M	-196~538
Clamping ring	A351-CF8M	-196~538
Soft seal	Reinforced Teflon	-45~200
	Reinforced Teflon +Carbon fiber	-196~538
Metal seal	SUS316+Partial satellite alloy	-196~538

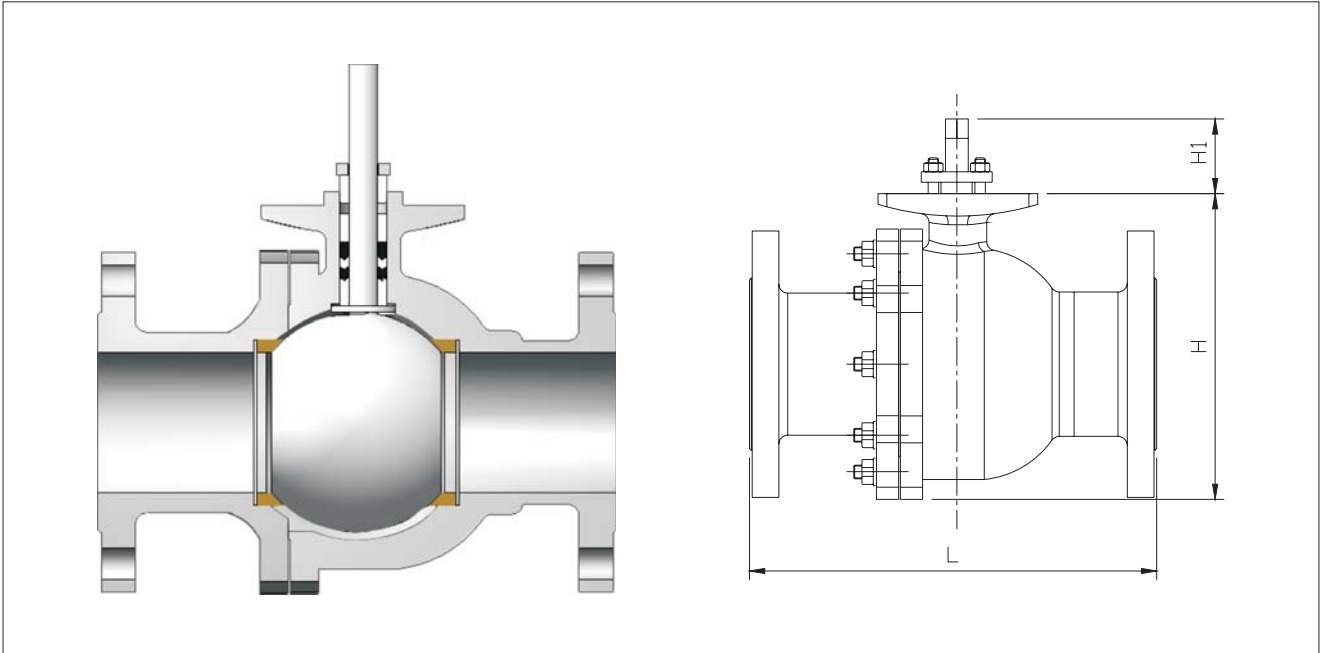
Size range: 1" ~18"

Pressure level range: 1. 6Mpa 2. 5Mpa 4. 0Mpa 6. 4Mpa

Standard close level: CALSS V (Standard Metal seat)

CALSS VI (Standard Soft seat)

GYR-51300 SERIES O-TYPE BALL VALVE



Part name	Material	Temperature range (°C)
Body	A216-WCB	-5~425
	A351-CF8	-196~538
	A351-CF8M	-196~538
	LF6	-196~-45
Plug	A351-CF8M	-196~538
	A351-CF8M+Reinforced Teflon	-45~200
	A351-CF8M+Partial satellite alloy	-196~538
Stem	A351-CF8M	-196~538
Bearing	A351-CF8M	-196~538
Clamping ring	A351-CF8M	-196~538
Soft seal	Reinforced Teflon	-45~200
	Reinforced Teflon +Carbon fiber	-196~538
Metal seal	SUS316+Partial satellite alloy	-196~538

Valve size(mm)	L		H	H1
	PN1.6 4.0	PN6.4		
25	150	240	88	48
40	180	250	118	63
50	200	280	132	63
65	220	300	184	63
80	250	310	202	63
100	280	370	264	62
125	320	395	330	63
150	360	500	367	62
200	450	630	466	85

Size range: 1" - 18"

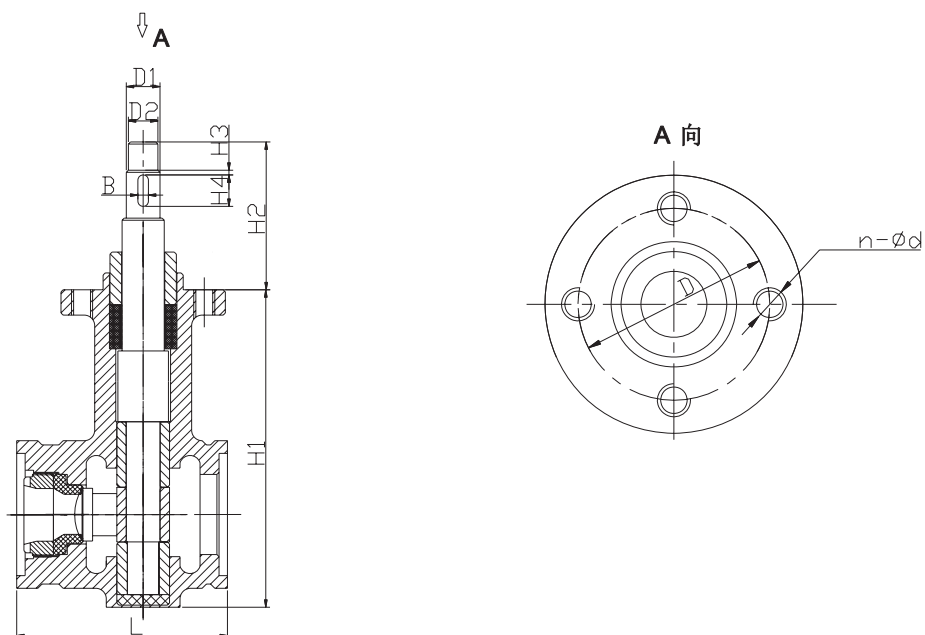
Pressure level range: 1.6Mpa 2.5Mpa 4.0Mpa 6.4Mpa

Standard close level: CALSS V (Standard Metal seat)

CALSS VI (Standard Soft seat)

FLOW HIGH PERFORMANCE CONTROL VALVES

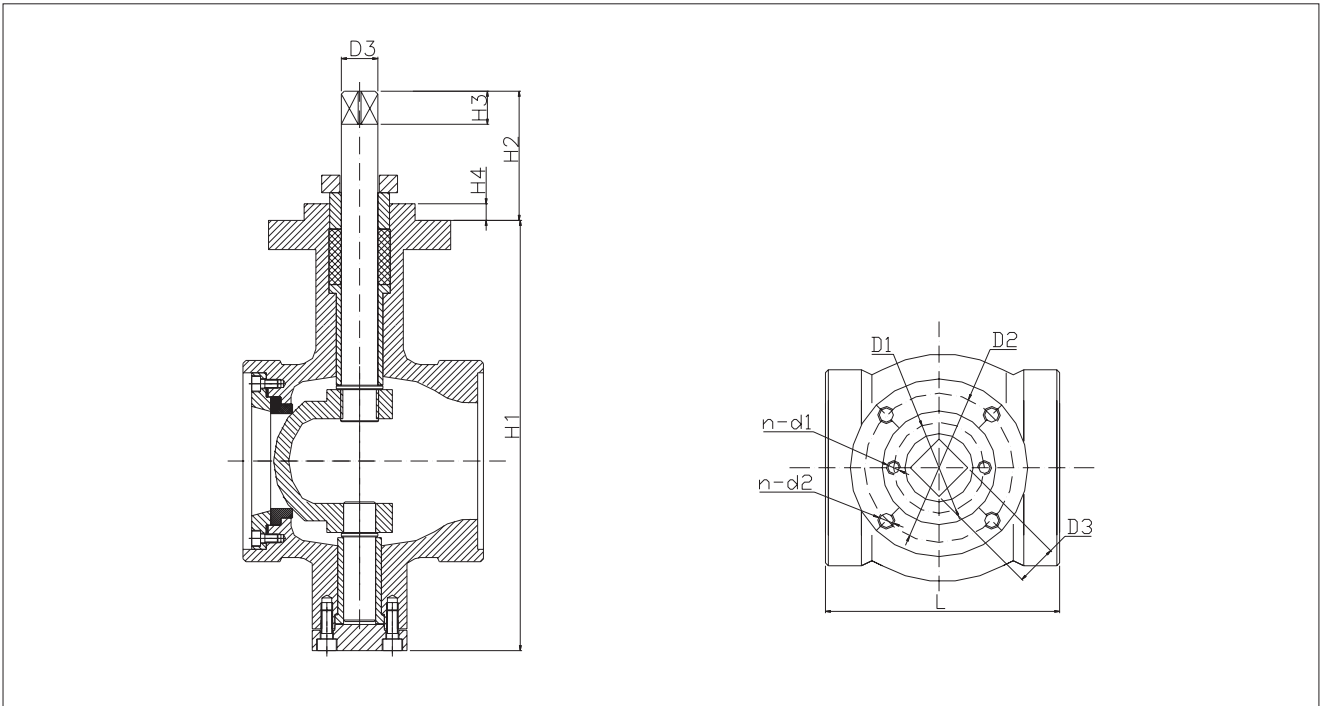
Body Size



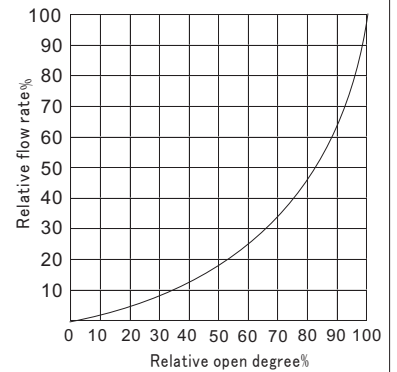
Valve Size	L	H1	H2	H3	H4	B	D	n-φd	D1	D2
25	100	162	114	10	18	5	Φ58	4-M10	Φ16	Φ14
40	115	202	116	10	18	5	Φ58	4-M10	Φ16	Φ14
50	124	212	111	10	18	5	Φ58	4-M10	Φ16	Φ14
65	158	229.5	135	10	22	6	Φ80	4-M12	Φ18	Φ14
80	165	244	132	15	22	6	Φ80	4-M12	Φ18	Φ14
100	194	279	139	15	22	6	Φ80	4-M12	Φ18	Φ14
125	210	227	148	20	24	8	Φ90	4-M14	Φ18	Φ14
150	230	364	149	20	32	8	Φ90	4-M14	Φ28	Φ14
200	243	426	143	15	32	8	Φ90	4-M14	Φ28	Φ14
250	300	506	168	30	30	12	Φ108	4-M16	Φ38	Φ14
300	345	561	165	30	40	12	Φ108	4-M16	Φ38	Φ14

FLOW HIGH PERFORMANCE CONTROL VALVES

Body Size



Valvw size	L	H1	H2	H3	H4	D1	n-Φd1	D2	n-Φd2	D3
25	60	168	48	18	10	47	2-M8	Φ95	4-M10	14 14
40	60	186	63	18	10	47	2-M8	Φ95	4-M10	16 16
50	75	196	63	18	12	47	2-M8	Φ95	4-M10	16 16
65	85	242	63	18	12	47	2-M8	Φ95	4-M10	16 16
80	100	262	63	18	12	54	2-M8	Φ95	4-M10	20 20
100	115	281	62	18	12	54	2-M8	Φ95	4-M10	20 20
125	150	342	63	22	12	62	2-M10	Φ105	4-M12	24 24
150	160	386	62	25	12	62	2-M10	Φ105	4-M12	24 24
200	200	467	85	30	18	62	2-M10	Φ108	4-M14	24 24



- ◆ The fixed flow rate characteristic of V type adjustment ball valve is approximate equal percentage, the characteristic curve as the chart shows.
- ◆ Ultra strong cut-off ability: V type valve uses the metal seal structure, V type plug and the metal valve seat in the rotation structure, the V gap and the valve seat have a formidable shearing force to be able to shut off impurity and has from the clean function, avoids the valve locking to occurrence.
- ◆ Pneumatic V type ball valve has compact structure, the installation and maintain is convenient.

FLOW HIGH PERFORMANCE CONTROL VALVES

Pneumatic cylinder steam jacket type ball valve

Use and characteristic

Pneumatic cylinder steam jacket type ball valve is suitable to each kind of pipelines on PN10-25 pressure. Cut or put through the medium in the pipeline like the steam, the oil quality, the liquid gas, the natural gas, the coal gas, the nitric acid, the acetic acid, the urea by selecting the different material, and it can keep warm and prevent the medium crystal. It has the compact structure, small volume, light weight, good performance on keeping warm, is convenient to installment, open and close, etc.

Main part material

Body: ZG230-450, Stainless steel 304, 316, 316L

Plug: Stainless steel 304, 316, 316L

Seat: Metal seal seat 304, 316, 316L, Soft seal PTFE

Pneumatic O type 3-way ball valve

Pneumatic O type 3-way ball valve is one kind of three channels rotation control ball valves, enable a control valve to have the functions of two control valves. It is composed of pneumatic cylinder actuator, O type 3-way ball valve and two position five-way solenoid valve. The plug has L and T types, satisfy with each kind of product craft requirement. All pipelines may take the entrance or the exportation according to actual requirement.

Pneumatic lining fluorine O type ball valve

Use and characteristic

According to the market demand, we develop the pneumatic lining fluorine O type ball valve, the valve body has used the inside lining fluorine plastic, and matches plug with stem, in addition its unique elastic lip type seal seat structure, enable it to have the higher seal strength and the corrosion resistance ability.

The pneumatic lining fluorine O type ball valve is not only suitable for transporting each kind of the liquid and the gas (including steam) in pipeline, but also suitable to each kind of strong corrosive medium like acid, the alkali, the salt and so on.

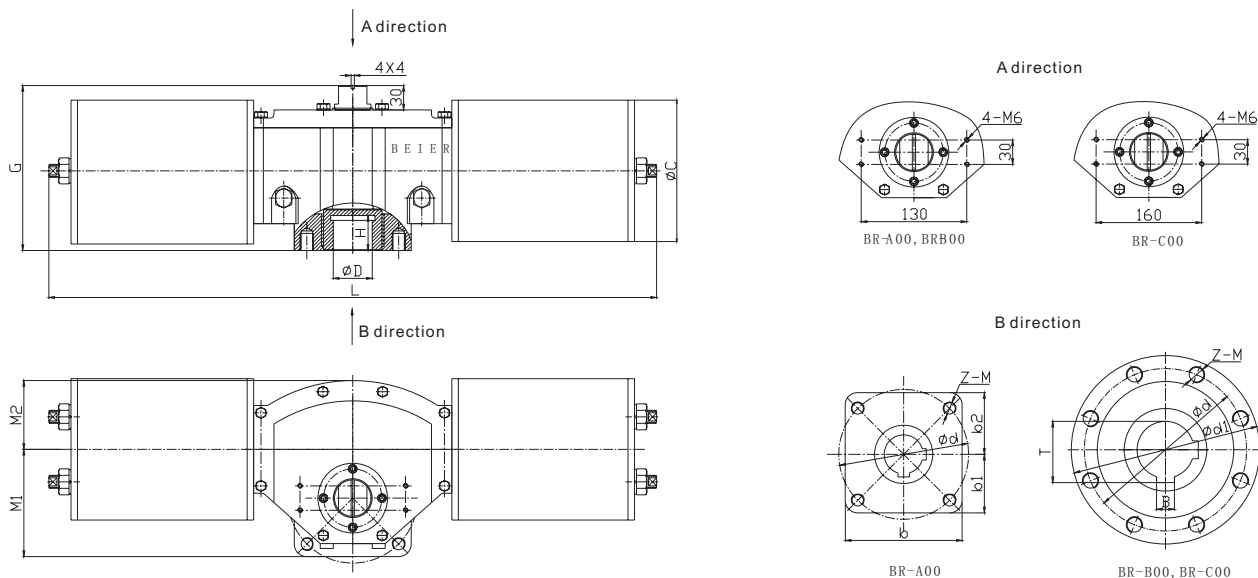
Connection type: Flange type

Suitable temperature: -80~200°C

Drive: Handle, Gear drive, Electric motor type, Pneumatic cylinder

FLOW HIGH PERFORMANCE CONTROL VALVES

Actuator



Double action Output torque

Unit N. m

Model	Double action Output torque				
	Air supply				
	0.3	0.4	0.5	0.6	0.7
BR A14	553	738	923	1107	1292
BR A16	723	964	1205	1446	1687
BR A20	1130	1507	1884	2260	2637
BR B20	1695	2260	2826	3391	3956
BR B25	2649	3532	4415	5298	6181
BR B28	3323	4430	5538	6646	7753
BR C28	4615	6154	7693	9231	10770
BR C32	6028	8038	10048	12057	14067
BR C36	7630	10173	12717	15260	17803
BR C40	9420	12560	15700	18840	21980
BR C45	11922	15896	19870	23844	27818



BEIER Control Valve

Product Code Model

GY

1	2	3	4	5	6	7	8	9	10	×	11	·	12	·	13	-	14	15	16	17	18
---	---	---	---	---	---	---	---	---	----	---	----	---	----	---	----	---	----	----	----	----	----

Body

Specification

Actuator

1. Code of the valve body

1 CodeNo.	Type	2 CodeNo.	Type	3 CodeNo.	Circulate type	6 CodeNo.	Connection type
L	Straight stroke	2	Unbalance trim series	1	Straight structure	1	Flange
R	Angle stroke	4	Balance trim series	2	Angle structure	2	Wafer
		5	Spherical series	3	Three way structure	3	Buttwelding End
		7	Butterfly series	4	"z" structure	4	Thread

4 CodeNo.	GYL series trim	GYR series trim
1	Economic type thread screw-in type seat	Eccentric partial spherical
2	High performance type cage embed type seat	Concentric partial spherical
3	High performance type double plug relief type	Concentric total spherical
4	Cut-off type	—
5	Economic type sleeve double valve seat	Normal seal type
6	Sleeve single seat	End-face seal type
7	Multi-hole type cage structure	High performance eccentric type
8	Labyrinth type cage structure	Triple eccentric multi-layers structure
9	Multi-stage pressure reducing type	—

5 CodeNo.	Bonnet type
1	Standard
2	Fin-Extension
3	Long-Extension
4	Corrugated pipe seal
5	Clamp cover

8 Code No.	Multistage pressure reducing level
II	II level
III	III level
IV	IV level
V	V level
VI	VI level
VII	VII level
VIII	VIII level

7 CodeNo.	Trim supplement explanation
R	Soft seal
Y	Metal seal
S	Seat guided type
C	Lining structure type

9 CodeNo.	Special request
-----------	-----------------

18 CodeNo.	Spring range
A	20—100KPa
B	40—200KPa
C	80—240KPa
D	120—360KPa
E	160—480KPa

2. Code of the Specification parameter

10 Code No.	11 Code No.	12 Code No.	13 Code No.	Flow characteristics
Nominal Diameter	Plug size	Nominal pressure	Z	linearity
The code number above may be filled in directly according to the concrete number.			D	Equal-percentage
			X	Special request

3. Code of the actuator

14 CodeNo.	Actuator type
L	Straight stroke
R	Angle stroke

15 CodeNo.	Actuator type
4	Multi-Spring diaphragm type
5	Single-Spring diaphragm type
6	Cylinder type
7	Solid state electronic type
8	Electrical type

17 CodeNo.	Pneumatic type Specification Piston size		Diaphragm type specification
	Straight stroke	Angle stroke	
1	—	65	
2	—	80	2#
3	180	100	3#
4	—	130	4#
5	250	160	5#
6	320	200	6#
7	350	250	
8	—	300	
9	—	350	

16 CodeNo.	Action type
5	Single action Air-open type
6	Single action Air-close type
7	Double action with emergency cut-off
8	Double action with emergency open
9	Double action

19 CodeNo.	Manual operation
P	Side
D	Top
W	Worm wheel





ZHEJIANG BEIER CONTROL VALVE CO.,LTD.

ADD: Xiaonanshan industrial district of tangxia
town,ruian,zhejiang china.

Email: info@controlvalves.cn
beier@controlvalves.cn

Web:Http://www.controlvalves.cn

Overseas market(World):

Tel: 86-577-56763781 56763782 65360522

Fax: 86-577-65360522

Domestic market(China):

Tel: 0577-65370551 65399100 25657666

Fax: 0577-65370559